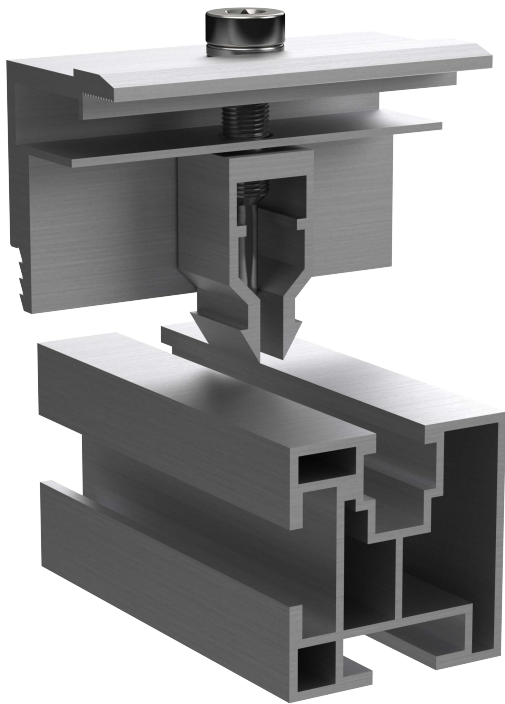


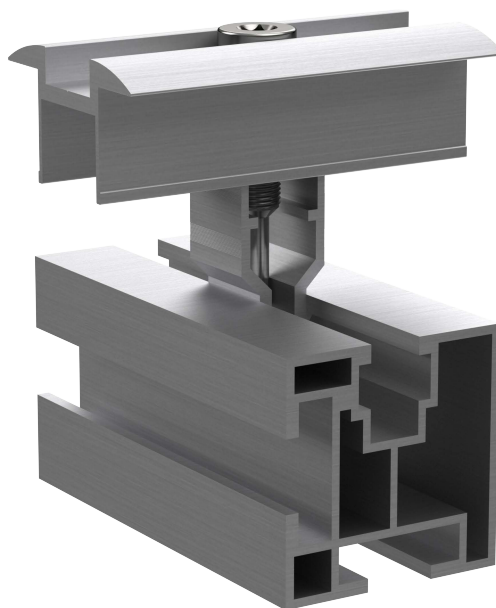
CHARACTERISTICS

Keno sp. z o.o. is pleased to present to you the Click clamp, compatible with the dedicated aluminum mounting profile.



- EASY AND QUICK ASSEMBLY
- COMPATIBLE WITH K-59 PROFILE
- AVAILABLE IN BLAK

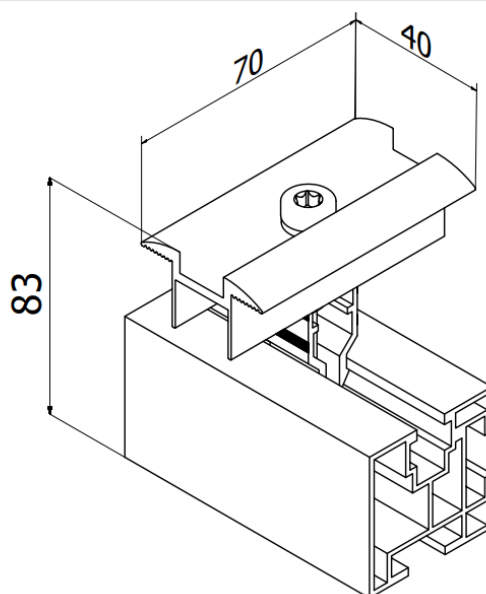
[SEE CATALOGUE](#)



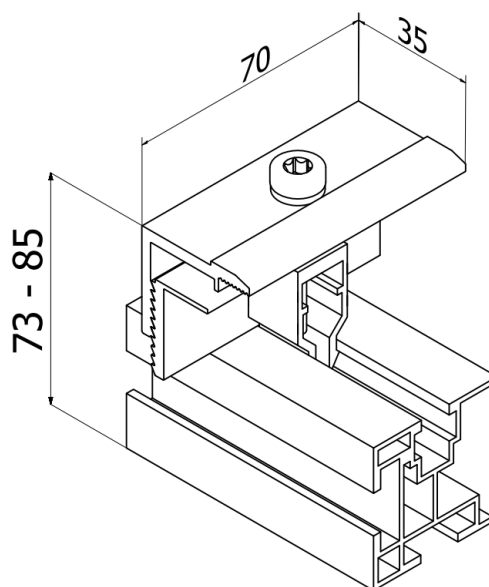
ELEMENT DESCRIPTION

Keno sp. z o.o. provides a 10-year warranty on the above structure, with the possibility of extending it for another 5 years. Installation is carried out by placing the K-06-R and K-05-R clamps inside the K-59 profile without the use of additional fastening elements such as a sliding groove. The specially designed glue is a universal element for modules in thicknesses from 30mm to 35mm.

TECHNICAL DRAWING



Rys.1 K-05-R DIMENSIONS



Rys.2 K-06-R DIMENSIONS