



RAISED TRAPEZOIDAL BRIDGE K-14P MOUNTING SYSTEM

CHARACTERISTICS

Keno sp. z o.o. is pleased to present you with a solution for use on pitched roofs covered with trapezoidal sheeting, sandwich panels and seam sheets.

- QUICK AND EASY MOUNTING
- MOBILITY WHICH ALLOWS MOUNTING THE BRACKET ALONG THE ENTIRE LENGTH OF THE TRAPEZOIDAL METAL SHEET



[SEE
CATALOG](#)

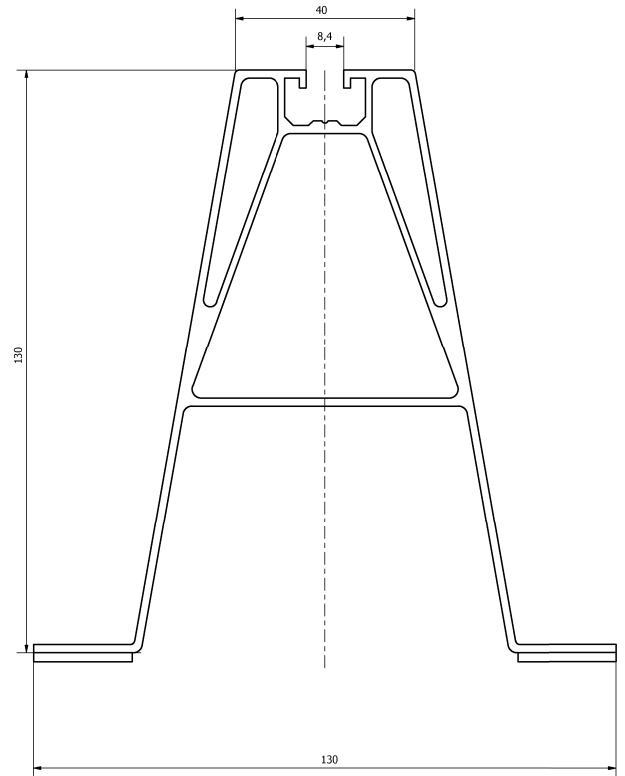
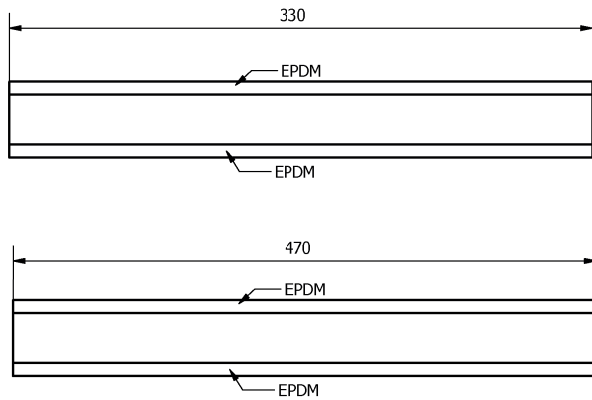


CONSTRUCTION DESCRIPTION WITH K-14P TRAPEZOIDAL BRIDGES

Keno sp. z o.o. gives a 10-year guarantee with a possibility of extending it to 15 years, due to the stainless steel component. Mounting of K-14P trapezoidal bridges (fig 1, fig 2) takes place by screwing them to the sheet metal surface using four M6 K-20 sheet metal screws. K-14P bridges are available in two lengths, 330mm and 470mm.

RAISED TRAPEZOIDAL BRIDGE K-14P
MOUNTING SYSTEM

TECHNICAL DRAWING



The minimal thickness of the stainless steel sheet on which this structure is permitted to be installed is 0,4mm, for aluminum sheet it is 0,5mm.